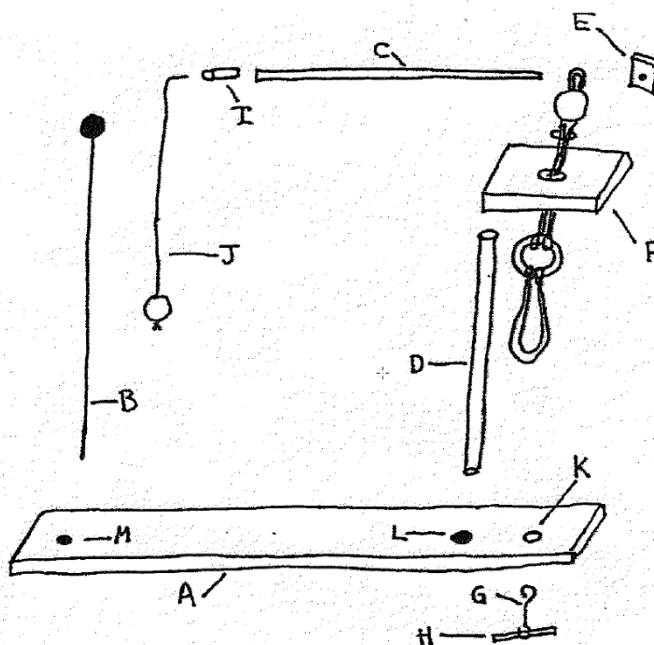


your friends at EternaTree® present...
the 25th Anniversary Redux of
EternaMotion

Inventory

- Base Plate (A)
- Catching Post (B)
- Swinging Arm (C)
- Platform Support (D)
- Counterweight (E)
- Platform Assembly (F)
(platform, rubber bands, ball, washer, ring)
- Metal Hook (G)
- Winding Key (H)
- Small Tube (I)
- Swinging Ball Assembly (J)
(ball, bead, elastic thread)
- Base Plate Hole (K)
- Base Plate Hole (L)
- Base Plate Hole (M)



Put It Together Instructions

1. Insert one end of Platform Support (D) into hole in Platform Assembly (F). Insert other end into Hole (L) of Base Plate (A). Align Platform Assembly (F) so the rubber bands hang above Hole (K) in Base Plate (A).
2. Insert Swinging Arm (C) about two inches through the rubber bands above the ball of the Platform Assembly (F). Pull the rubber bands to tighten Swinging Arm (C) against the ball, the ball against the washer, and the washer against the platform. Install Counterweight (E) on the short end of Swinging Arm (C).
3. Insert the smaller loop of Metal Hook (G) into Hole (K) of Base Plate (A). In the countersunk space in the bottom of Base Plate (A) insert Winding Key (H) through the loop of Metal Hook (G). Catch the rubber bands in the upper loop of Metal Hook (G).
4. Insert Catching Post (B) into Hole (M) of Base Plate (A). Adjust Swinging Arm (C) so its end is about one inch from Catching Post (B).
5. Pass the end of the elastic thread of Swinging Ball Assembly (J) through Small Tube (I). Slip Small Tube (I) onto the end of Swinging Arm (C) to secure the elastic thread. Adjust length of thread so the ball touches Base Plate (A) when Swinging Arm (C) is parallel to Base Plate (A). This will help a little to preserve the elasticity of the thread. But eventually you will need the replacement thread (included). (The rubber bands will also poop out. You're on your own for those. Write if you need help.)

Operating Instructions

1. Lay EternaMotion on its side with bottom of Base Plate (A) facing you. Turn Winding Key (H) 20-25 full turns. Hold Swinging Arm (C) and place EternaMotion upright on a flat surface. Release Swinging Arm (C) and stand back!
2. As needed for best operation, tinker with position of Swinging Arm (C), hanging length of elastic thread, and number of winds.

